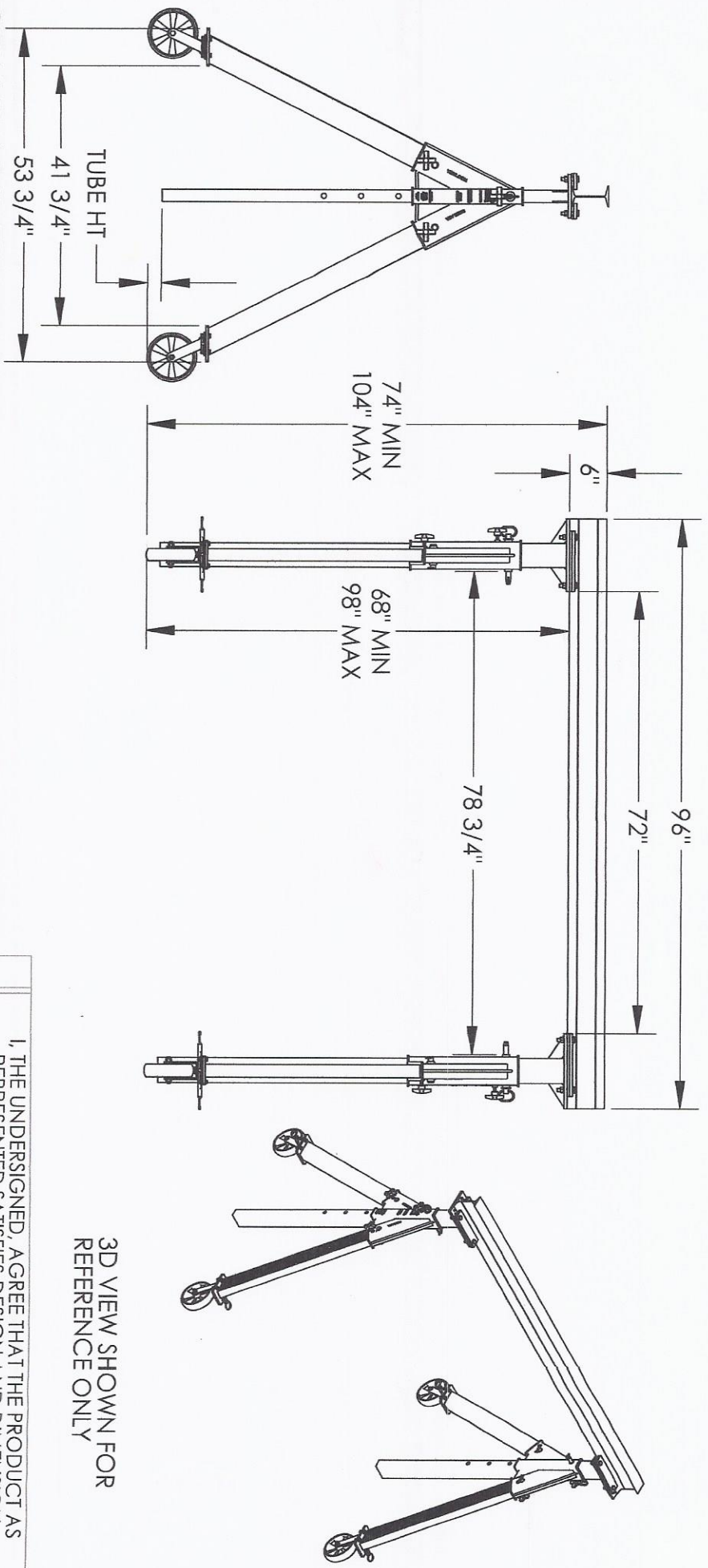


ADJUSTABLE ALUMINUM GANTRY CRANE - 1362-1

APPROX WEIGHT: 171.41 lbs.
 DOES NOT INCLUDE WEIGHT OF POWER OR PACKAGING!!!

*** ANY ADDITIONS, DELETIONS, OR OMISSIONS MUST BE CORRECTED ON THIS DRAWING AS THIS DRAWING WILL BE CONSIDERED ALL INCLUSIVE ***
 ALL GRAPHICS PROVIDED ARE FOR REFERENCE ONLY. IF CERTAIN DIMENSIONS ARE CRITICAL PLEASE VERIFY THOSE DIMENSIONS WITH YOUR SALESPERSON



3D VIEW SHOWN FOR REFERENCE ONLY

STANDARD FEATURES

- MODEL NUMBER IS AHA-2-8-8
- CAPACITY IS 2,000 LBS.
- OVERALL BASE WIDTH IS 53 3/4"
- USABLE BASE WIDTH IS 41 3/4"
- OVERALL BEAM LENGTH IS 96"
- USABLE BEAM LENGTH IS 72"
- O-BEAM HEIGHT IS 66"
- UNDER I-BEAM TO GROUND: 68" MIN., 98" MAX.
- TUBE HEIGHT: 2 1/2" MIN., 32 1/2" MAX.
- STRADDLE LENGTH IS 78 3/4"
- Ø8" SWIVEL CASTERS W/4 POSITION LOCK

SPECIAL FEATURES

NONE

ADDITIONAL AVAILABLE OPTIONS:

MANUAL TROLLEYS	
1,000 # CAPACITY	2,000 # CAPACITY
QIT-1	QIT-2
E-MT-1	E-MT-2
E-MT-1-C	E-MT-2-C

APPROVAL

I, THE UNDERSIGNED, AGREE THAT THE PRODUCT AS REPRESENTED SATISFIES DESIGN AND DIMENSION REQUIREMENTS. I ALSO ACKNOWLEDGE MY DUTY TO CONFIRM PRODUCT AND INSTALLATION COMPLIANCE WITH ALL APPLICABLE FEDERAL, STATE AND LOCAL REGULATIONS AND STANDARDS.
ALL SPECIAL UNITS ARE NON-RETURNABLE
 As drawn As marked

Signed: _____ Date: _____
 LEAD TIME WILL START UPON RECEIPT OF SIGNED APPROVAL DRAWING

DISTRIBUTOR'S NAME: _____

DRAWN BY: NID DATE: 1/31/11

REFERENCE: X SCALE: 1:24

QUOTED LEAD TIME: X QUOTE # _____

SALES: X FILE NAME: 28-007-187

P.O.# X W.O.# X

COMPLIET

CAPACITY OF ATTACHMENTS MAY DERATE CAPACITY OF GANTRY CRANE