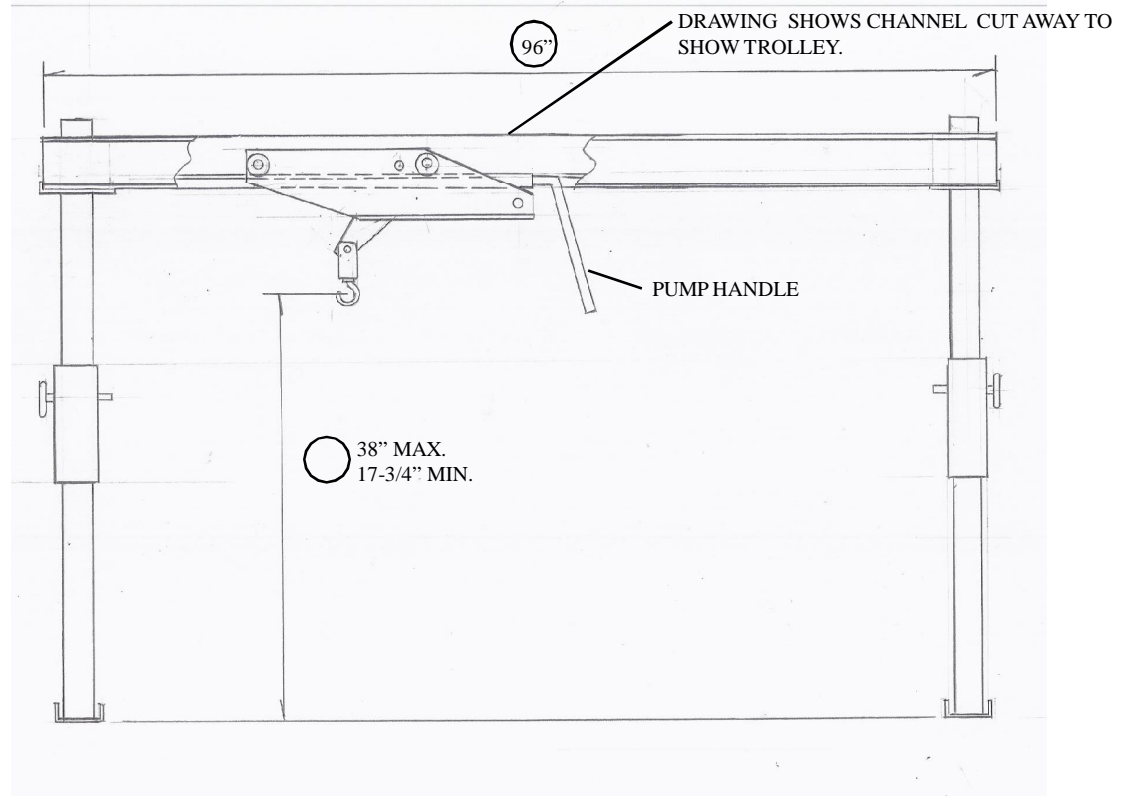
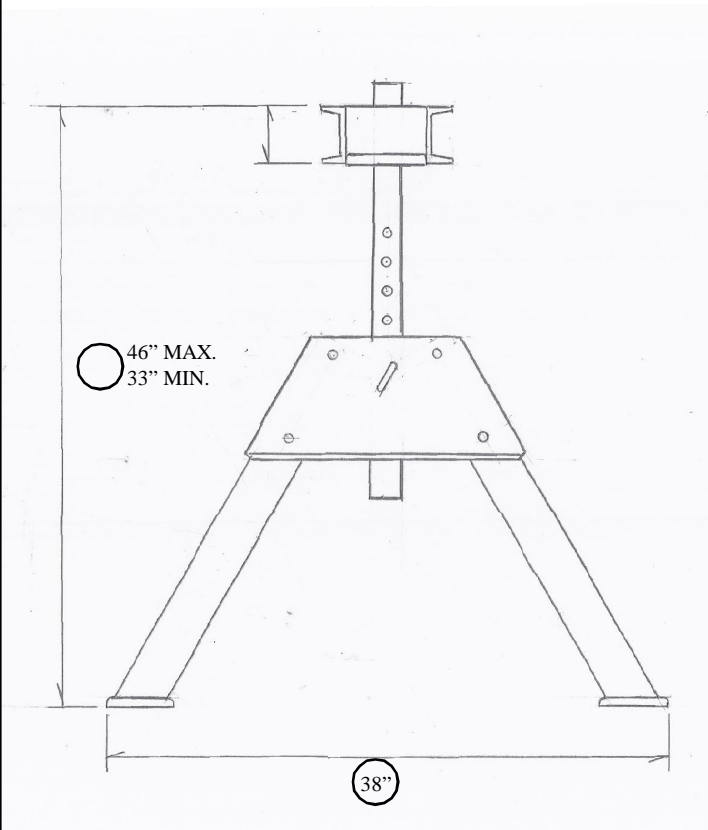


# HEAVY-DUTY #1 COMPLIFT - #1330-1

APPROX. WEIGHT : 200 LBS.



## ***STANDARD FEATURES***

JACK, TROLLEY & HAND TRUCK INCLUDED.  
CAPACITY IS 2000 LBS.  
OVERALL BEAM LENGTH IS 96"  
USABLE BEAM LENGTH IS 86"  
OVERALL BEAM HEIGHT IS 33" MIN., 46" MAX.  
HOOK HEIGHT IS 17-3/4" MIN., 38" MAX.  
STRADDLE LENGTH IS 86"  
OVERALL BASE WIDTH IS 38"

## ***OPTIONAL ACCESSORIES***

NO ACCESSORIES REQUIRED OR OFFERED.

