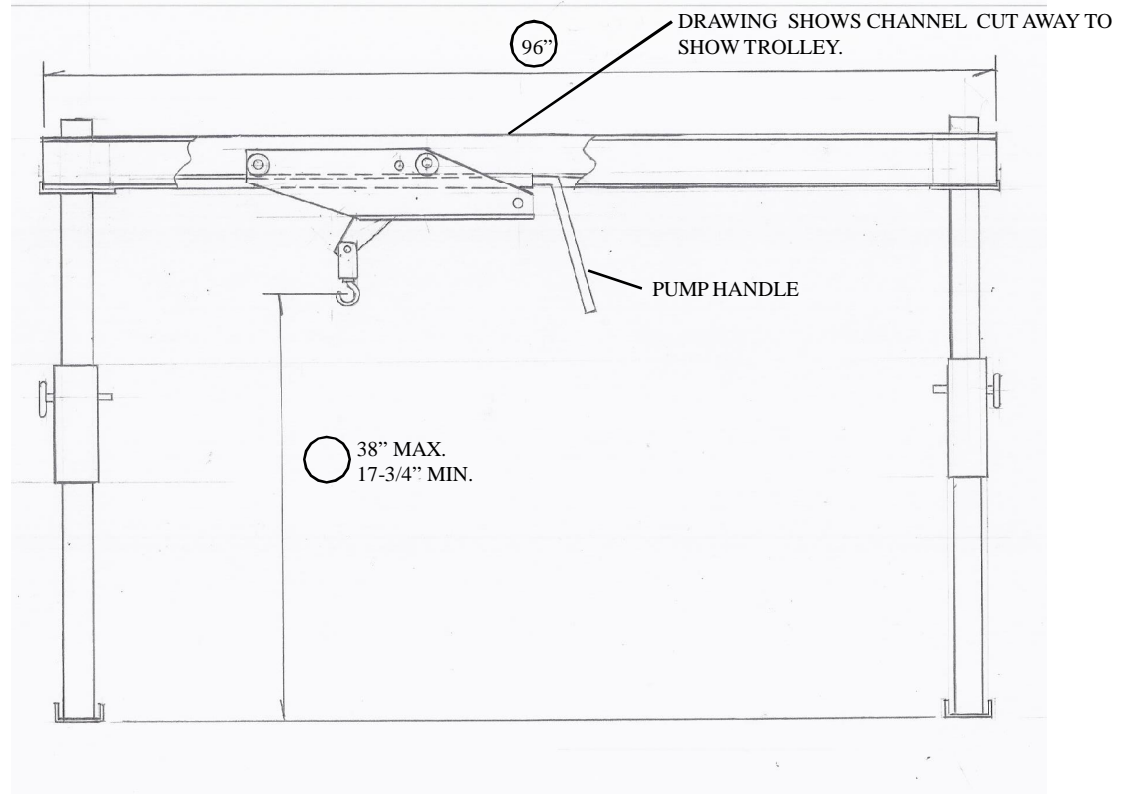
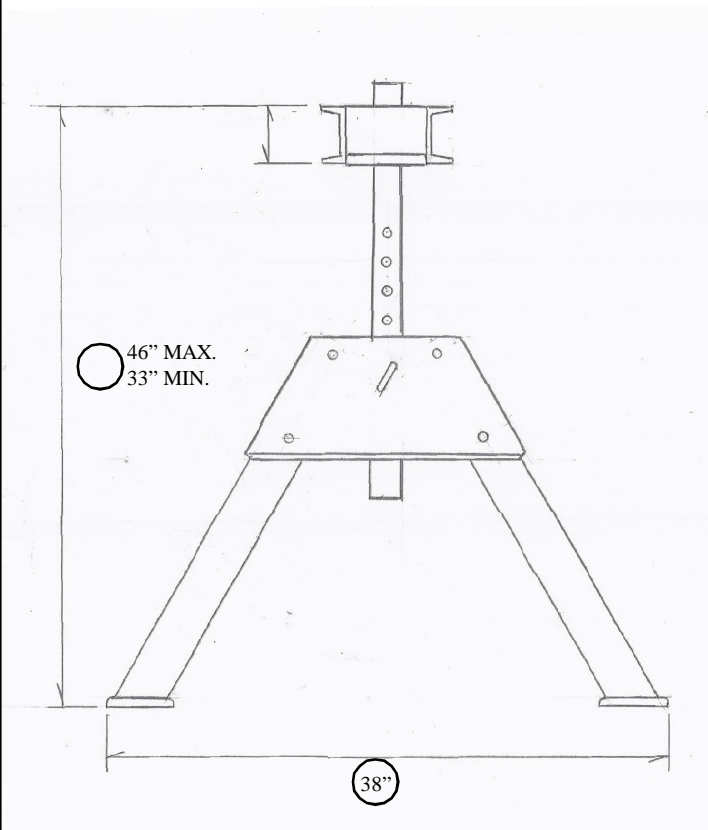


HEAVY-DUTY #1 COMPLIFT - #1330-1

APPROX. WEIGHT : 200 LBS.



STANDARD FEATURES

JACK, TROLLEY & HAND TRUCK INCLUDED.
CAPACITY IS 2000 LBS.
OVERALL BEAM LENGTH IS 96"
USABLE BEAM LENGTH IS 86"
OVERALL BEAM HEIGHT IS 33" MIN., 46" MAX.
HOOK HEIGHT IS 17-3/4" MIN., 38" MAX.
STRADDLE LENGTH IS 86"
OVERALL BASE WIDTH IS 38"

OPTIONAL ACCESSORIES

NO ACCESSORIES REQUIRED OR OFFERED.

